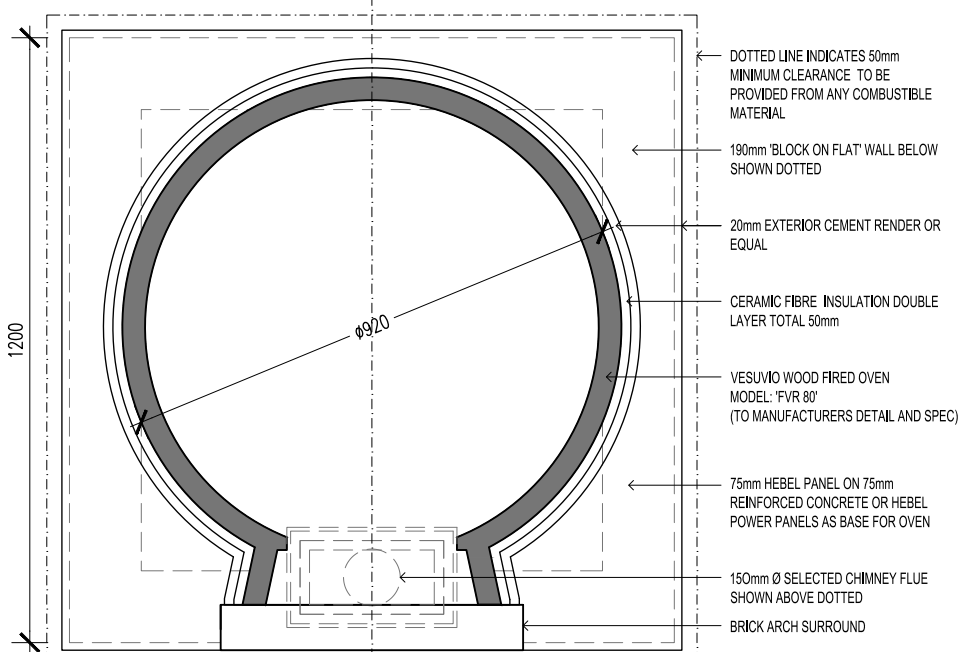


FVR | FRONT VIEW
80 SCALE 1:20 @ A4



FVR | PLAN VIEW
80 SCALE 1:20 @ A4

NOTES:

CLEARANCES:

The oven shall not be installed closer than 50mm from any combustibile material.

VENTING:

The oven is to be directly vented using a selected 150mm chimney flue, with adequate rise min 900mm.

Spark arrestor is to be installed to manufacturers detail and spec if open wood fire is used. This is unnecessary if using a gas burner.

UTILITIES:

No electricity or gas required.

OVEN MODEL:

Vesuvio Wood-Fired Ovens 'FVR 80' installed to manufacturers detail and spec.

This drawing is copyright and the confidential information of Cassisi Corp Pty Ltd, trading as Euroquip, trading as Vesuvio Wood Fired Ovens.

Unauthorised use, copying and disclosure is prohibited.

Do not scale this drawing. Use figured dimensions only. Dimensions are to be checked and verified before commencing work.

© copyright